



Instructions

1. Please use 50-60°C water to electrolyze twice before using for the first time;
2. The hot water added should not be too full, so as not to overflow when the lid is screwed, causing burns.
3. When you carry it, please tighten the lid clockwise to avoid leakage.
4. Do not use volatile agents, benzene, metal wire balls or hard objects to clean the product to avoid scratching the cup;
5. After the electrolysis is completed, if you forget to drink, you can repeat the electrolysis to increase the hydrogen content in the water, so that the effect is better;
6. When cleaning the bottom, you need to wipe it with a soft sponge pad, cloth, soft brush, and keep the bottom dry after wiping it off;
7. Hydrogen production does not distinguish between water quality, pure water, tap water, distilled water, etc. (except beverages)
8. Press power button for 3 seconds to ON/OFF the device.
9. When charging the battery, the red light will be on. After the charging is finished, the green light will be on. It takes 3-4 hours to charge once. It can produce about 30 cups of high-hydrogen water. When fully charged. (The number of hydrogen cup sand charging are Due to objective reasons such as water quality and climate. It will be different times)
10. Hydrogen production time is 3 minutes, then the hydrogen production is automatically turned off. When the hydrogen is produced, the blue light of the button lights up. long press the button to forcibly close the production.

Maintenance

- *Do not put the cup body close to the fire source. Do not use it in microwave oven;
- *Do not use the cup body as a rice cooker, a hot water bottle, etc. for heating;
- *Do not wash the body with volatile solvents such as detergents or thinners;
- *Do not pour the beverage into the body other than "drinking water";
- *Non-professional maintenance personnel, can not be disassembled to repair the base, professional maintenance personnel can repair this product;
- *The base should not be immersed in water to rinse;
- *Do not store the cups directly under sunlight, do not store or expose the products below temperatures 0°C.
- *When it is found that the bubbles in the water is reducing, the body is dirty, pour the white vinegar, cover the lid for more than 2 hours, shake for 2 minutes, then open the lid, then rinse with water.

Instructions

1. Please use 50-60°C water to electrolyze twice before using for the first time;
2. The hot water added should not be too full, so as not to overflow when the lid is screwed, causing burns.
3. When you carry it, please tighten the lid clockwise to avoid leakage.
4. Do not use volatile agents, benzene, metal wire balls or hard objects to clean the product to avoid scratching the cup;
5. After the electrolysis is completed, if you forget to drink, you can repeat the electrolysis to increase the hydrogen content in the water, so that the effect is better;
6. When cleaning the bottom, you need to wipe it with a soft sponge pad, cloth, soft brush, and keep the bottom dry after wiping it off;
7. Hydrogen production does not distinguish between water quality, pure water, tap water, distilled water, etc. (except beverages)
8. Press power button for 3 seconds to ON/OFF the device.
9. When charging the battery, the red light will be on. After the charging is finished, the green light will be on. It takes 3-4 hours to charge once. It can produce about 30 cups of high-hydrogen water. When fully charged. (The number of hydrogen cup sand charging are Due to objective reasons such as water quality and climate. It will be different times)
10. Hydrogen production time is 3 minutes, then the hydrogen production is automatically turned off. When the hydrogen is produced, the blue light of the button lights up. long press the button to forcibly close the production.

Maintenance

- *Do not put the cup body close to the fire source. Do not use it in microwave oven;
- *Do not use the cup body as a rice cooker, a hot water bottle, etc. for heating;
- *Do not wash the body with volatile solvents such as detergents or thinners;
- *Do not pour the beverage into the body other than "drinking water";
- *Non-professional maintenance personnel, can not be disassembled to repair the base, professional maintenance personnel can repair this product;
- *The base should not be immersed in water to rinse;
- *Do not store the cups directly under sunlight, do not store or expose the products below temperatures 0°C.
- *When it is found that the bubbles in the water is reducing, the body is dirty, pour the white vinegar, cover the lid for more than 2 hours, shake for 2 minutes, then open the lid, then rinse with water.

Instructions

1. Please use 50-60°C water to electrolyze twice before using for the first time;
2. The hot water added should not be too full, so as not to overflow when the lid is screwed, causing burns.
3. When you carry it, please tighten the lid clockwise to avoid leakage.
4. Do not use volatile agents, benzene, metal wire balls or hard objects to clean the product to avoid scratching the cup;
5. After the electrolysis is completed, if you forget to drink, you can repeat the electrolysis to increase the hydrogen content in the water, so that the effect is better;
6. When cleaning the bottom, you need to wipe it with a soft sponge pad, cloth, soft brush, and keep the bottom dry after wiping it off;
7. Hydrogen production does not distinguish between water quality, pure water, tap water, distilled water, etc. (except beverages)
8. Press power button for 3 seconds to ON/OFF the device.
9. When charging the battery, the red light will be on. After the charging is finished, the green light will be on. It takes 3-4 hours to charge once. It can produce about 30 cups of high-hydrogen water. When fully charged. (The number of hydrogen cup sand charging are Due to objective reasons such as water quality and climate. It will be different times)
10. Hydrogen production time is 3 minutes, then the hydrogen production is automatically turned off. When the hydrogen is produced, the blue light of the button lights up. long press the button to forcibly close the production.

Maintenance

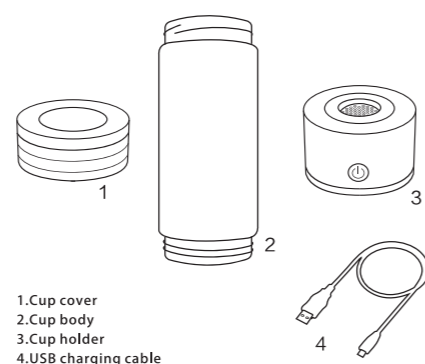
- *Do not put the cup body close to the fire source. Do not use it in microwave oven;
- *Do not use the cup body as a rice cooker, a hot water bottle, etc. for heating;
- *Do not wash the body with volatile solvents such as detergents or thinners;
- *Do not pour the beverage into the body other than "drinking water";
- *Non-professional maintenance personnel, can not be disassembled to repair the base, professional maintenance personnel can repair this product;
- *The base should not be immersed in water to rinse;
- *Do not store the cups directly under sunlight, do not store or expose the products below temperatures 0°C.
- *When it is found that the bubbles in the water is reducing, the body is dirty, pour the white vinegar, cover the lid for more than 2 hours, shake for 2 minutes, then open the lid, then rinse with water.

"Three Guarantees" service commitment

1. For relative after-sales service, please contact the distribution unit or the after-sales center of the company. The quality problems occur during normal use. During the replacement period (within seven days from the date of purchase), there is a non-human failure in normal use. Please keep the products, accessories and packaging. The appearance completed (if the appearance is damaged, for warranty treatment), after the test confirms the defect, you can choose to change or repair;
2. If something is damaged after the purchase, the replacement will be invalid; 3. In the following cases, the replacement warranty are invalid:
 - ① Damage caused by all human factors, including abnormal use;
 - ② The customer repairs, modifies or repairs the unit without authorization from the company;
 - ③ Damage caused by other force majeure.

Specification

Volume: 420
 Material:
 Cup Body: PC/Glass/Stainless steel
 Steel kits: 304# Stainless Steel
 Seal Ring: Silicone
 Base: High hydrogen electrolysis sheet
 + Polymer lithium battery + Circuit board



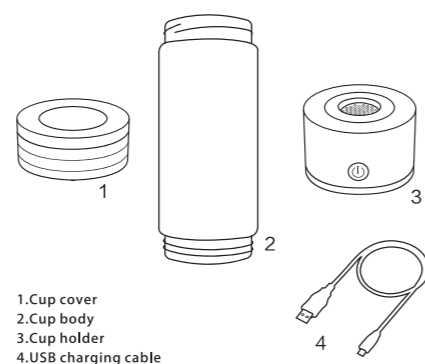
1. Cup cover
2. Cup body
3. Cup holder
4. USB charging cable

"Three Guarantees" service commitment

1. For relative after-sales service, please contact the distribution unit or the after-sales center of the company. The quality problems occur during normal use. During the replacement period (within seven days from the date of purchase), there is a non-human failure in normal use. Please keep the products, accessories and packaging. The appearance completed (if the appearance is damaged, for warranty treatment), after the test confirms the defect, you can choose to change or repair;
2. If something is damaged after the purchase, the replacement will be invalid; 3. In the following cases, the replacement warranty are invalid:
 - ① Damage caused by all human factors, including abnormal use;
 - ② The customer repairs, modifies or repairs the unit without authorization from the company;
 - ③ Damage caused by other force majeure.

Specification

Volume: 420
 Material:
 Cup Body: PC/Glass/Stainless steel
 Steel kits: 304# Stainless Steel
 Seal Ring: Silicone
 Base: High hydrogen electrolysis sheet
 + Polymer lithium battery + Circuit board



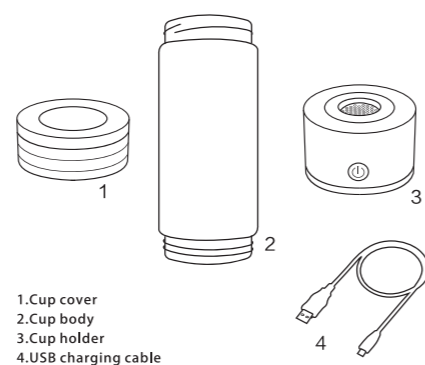
1. Cup cover
2. Cup body
3. Cup holder
4. USB charging cable

"Three Guarantees" service commitment

1. For relative after-sales service, please contact the distribution unit or the after-sales center of the company. The quality problems occur during normal use. During the replacement period (within seven days from the date of purchase), there is a non-human failure in normal use. Please keep the products, accessories and packaging. The appearance completed (if the appearance is damaged, for warranty treatment), after the test confirms the defect, you can choose to change or repair;
2. If something is damaged after the purchase, the replacement will be invalid; 3. In the following cases, the replacement warranty are invalid:
 - ① Damage caused by all human factors, including abnormal use;
 - ② The customer repairs, modifies or repairs the unit without authorization from the company;
 - ③ Damage caused by other force majeure.

Specification

Volume: 420
 Material:
 Cup Body: PC/Glass/Stainless steel
 Steel kits: 304# Stainless Steel
 Seal Ring: Silicone
 Base: High hydrogen electrolysis sheet
 + Polymer lithium battery + Circuit board



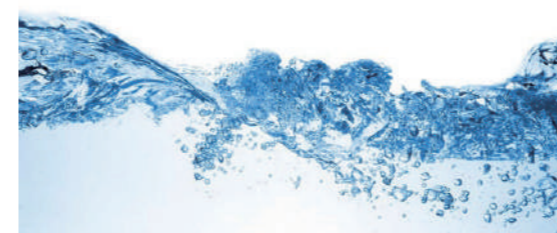
1. Cup cover
2. Cup body
3. Cup holder
4. USB charging cable

Hydrogen water cup

Instruction

Hydrogen water cup

Instruction



What's hydrogen water?

Hydrogen Water is the original name directly from Japanese. Because the "water" in Japanese is "Hydrogen", some people call it "Hydrogen water", and Chinese people call it hydrogen-rich water.
 The research of hydrogen-rich water started from 2007 with the first hydrogen biology paper in Nature Medicine. Common sense tells us that hydrogen is insoluble in water. In the middle school chemical experiment on the making of hydrogen, we use the drainage method to collect hydrogen, the main reason is that hydrogen is insoluble in water. Actually, hydrogen is not insoluble with water, but the solubility is indeed low. If calculate according to the molar concentration, the concentration of pure hydrogen in the water of 101.325 kPa at 20°C is 0.52 mol / L. How to raise and maintain the concentration and stability of saturated hydrogen water is the main problems of hydrogen Scientific research in medical applications. The invention of domestic nano gas-liquid mixing techno-logy overcomes the scientific problem that hydrogen is hardly soluble in water, and use physical methods to uniformly-wrap hydrogen to increase the combination of hydrogen and water. It has the high concentration of hydrogen and good stability functions.

The origin of hydrogen water

In Lourdes of France, Nordau of Germany, and Lafayette of Mexico, there is a "water of miracle" that attracts travelers from all over the world. About 2 million people have come to Norden. Thousands of "migrant birds" fly to Bama, Guangxi in every winter. The springs are called "sacred water" there. Why the sacred water attracts visitors from all over the world? Through the continuous research of scientists from all over the world, it turns out that the concentration of hydrogen in spring water of Lourdes, the natural water of Nordau and the lake of Bama are extremely high. The hydrogen concentration can reach even 0.35*10¹⁰ppm, while ordinary water is almost zero. Active hydrogen is the best antioxidant who removes free radicals from the body, that is the magic of these waters.
 Until that, the mystery of the 150-year miracle water was finally solved.

What's hydrogen water?

Hydrogen Water is the original name directly from Japanese. Because the "water" in Japanese is "Hydrogen", some people call it "Hydrogen water", and Chinese people call it hydrogen-rich water.
 The research of hydrogen-rich water started from 2007 with the first hydrogen biology paper in Nature Medicine. Common sense tells us that hydrogen is insoluble in water. In the middle school chemical experiment on the making of hydrogen, we use the drainage method to collect hydrogen, the main reason is that hydrogen is insoluble in water. Actually, hydrogen is not insoluble with water, but the solubility is indeed low. If calculate according to the molar concentration, the concentration of pure hydrogen in the water of 101.325 kPa at 20°C is 0.52 mol / L. How to raise and maintain the concentration and stability of saturated hydrogen water is the main problems of hydrogen Scientific research in medical applications. The invention of domestic nano gas-liquid mixing techno-logy overcomes the scientific problem that hydrogen is hardly soluble in water, and use physical methods to uniformly-wrap hydrogen to increase the combination of hydrogen and water. It has the high concentration of hydrogen and good stability functions.

The origin of hydrogen water

In Lourdes of France, Nordau of Germany, and Lafayette of Mexico, there is a "water of miracle" that attracts travelers from all over the world. About 2 million people have come to Norden. Thousands of "migrant birds" fly to Bama, Guangxi in every winter. The springs are called "sacred water" there. Why the sacred water attracts visitors from all over the world? Through the continuous research of scientists from all over the world, it turns out that the concentration of hydrogen in spring water of Lourdes, the natural water of Nordau and the lake of Bama are extremely high. The hydrogen concentration can reach even 0.35*10¹⁰ppm, while ordinary water is almost zero. Active hydrogen is the best antioxidant who removes free radicals from the body, that is the magic of these waters.
 Until that, the mystery of the 150-year miracle water was finally solved.



Antioxidant effect of Hydrogenwater

Hydrogen-rich water, also is known as hydrolyze water, modern medicine believes that the process of decay (oxidation) of substances, breathing oxygen, smoking and drinking, and environmental pollution sources will cause the body to produce a large number of peroxyl radicals, it will intentionally destroy the cell tissue, resulting in genes Disease and body aging.
 Active hydrogen can effectively remove free radicals in our body. Hydrogen-rich water has more antioxidant properties than all known human antioxidants such as vitamin C, carrot, lecithin, etc., for allergic dermatitis, hypertension, constipation, diabetes, cancer, etc. All kinds of symptoms caused by free radicals have a strong preventive effect. Frequently drinking the hydrogen-rich water can promote metabolism so that each cell can automatically maintain a healthy state and delay aging.

Peroxy free radicals—

The culprit of aging

Oxidation is the most basic chemical reaction in nature. This phenomenon can be seen everywhere, such as iron nails rusting in a humid environment, and cutted apples rot in the air.
 Oxidation also occurs in the human body. Normal people breathe about 2000 times a day, we inhale oxygen and exhale carbon dioxide. 98% of the oxygen inhaled for the body's metabolism is consumed, the remaining 2% undergoes oxidation become a harmful Peroxy free radicals. Human have their antioxidant enzymes (SOD) to fight free radicals. But with the increase of age and modern factors, these enzymes cannot completely eliminate free radicals. Breathing, smoking and drinking, electromagnetic radiation, and gastrointestinal discomfort are all producing plenty of peroxyl radicals. It is a very active destructive molecule, which destroys the body's cells, causes the production of oxides from unsaturated fatty acids on the cell membrane, causes loss of cell membranes, and denatures of proteases, thereby accelerating the aging process. More seriously the attacking of free radicals on genes, can destroy the structure of gene molecules and lead to mutations in gene chains, causing systematic confusion in the human body. This is why people are getting old.

Antioxidant effect of Hydrogenwater

Hydrogen-rich water, also is known as hydrolyze water, modern medicine believes that the process of decay (oxidation) of substances, breathing oxygen, smoking and drinking, and environmental pollution sources will cause the body to produce a large number of peroxyl radicals, it will intentionally destroy the cell tissue, resulting in genes Disease and body aging.
 Active hydrogen can effectively remove free radicals in our body. Hydrogen-rich water has more antioxidant properties than all known human antioxidants such as vitamin C, carrot, lecithin, etc., for allergic dermatitis, hypertension, constipation, diabetes, cancer, etc. All kinds of symptoms caused by free radicals have a strong preventive effect. Frequently drinking the hydrogen-rich water can promote metabolism so that each cell can automatically maintain a healthy state and delay aging.

Peroxy free radicals—

The culprit of aging

Oxidation is the most basic chemical reaction in nature. This phenomenon can be seen everywhere, such as iron nails rusting in a humid environment, and cutted apples rot in the air.
 Oxidation also occurs in the human body. Normal people breathe about 2000 times a day, we inhale oxygen and exhale carbon dioxide. 98% of the oxygen inhaled for the body's metabolism is consumed, the remaining 2% undergoes oxidation become a harmful Peroxy free radicals. Human have their antioxidant enzymes (SOD) to fight free radicals. But with the increase of age and modern factors, these enzymes cannot completely eliminate free radicals. Breathing, smoking and drinking, electromagnetic radiation, and gastrointestinal discomfort are all producing plenty of peroxyl radicals. It is a very active destructive molecule, which destroys the body's cells, causes the production of oxides from unsaturated fatty acids on the cell membrane, causes loss of cell membranes, and denatures of proteases, thereby accelerating the aging process. More seriously the attacking of free radicals on genes, can destroy the structure of gene molecules and lead to mutations in gene chains, causing systematic confusion in the human body. This is why people are getting old.

Antioxidant effect of Hydrogenwater

Hydrogen-rich water, also is known as hydrolyze water, modern medicine believes that the process of decay (oxidation) of substances, breathing oxygen, smoking and drinking, and environmental pollution sources will cause the body to produce a large number of peroxyl radicals, it will intentionally destroy the cell tissue, resulting in genes Disease and body aging.
 Active hydrogen can effectively remove free radicals in our body. Hydrogen-rich water has more antioxidant properties than all known human antioxidants such as vitamin C, carrot, lecithin, etc., for allergic dermatitis, hypertension, constipation, diabetes, cancer, etc. All kinds of symptoms caused by free radicals have a strong preventive effect. Frequently drinking the hydrogen-rich water can promote metabolism so that each cell can automatically maintain a healthy state and delay aging.

Peroxy free radicals—

The culprit of aging

Oxidation is the most basic chemical reaction in nature. This phenomenon can be seen everywhere, such as iron nails rusting in a humid environment, and cutted apples rot in the air.
 Oxidation also occurs in the human body. Normal people breathe about 2000 times a day, we inhale oxygen and exhale carbon dioxide. 98% of the oxygen inhaled for the body's metabolism is consumed, the remaining 2% undergoes oxidation become a harmful Peroxy free radicals. Human have their antioxidant enzymes (SOD) to fight free radicals. But with the increase of age and modern factors, these enzymes cannot completely eliminate free radicals. Breathing, smoking and drinking, electromagnetic radiation, and gastrointestinal discomfort are all producing plenty of peroxyl radicals. It is a very active destructive molecule, which destroys the body's cells, causes the production of oxides from unsaturated fatty acids on the cell membrane, causes loss of cell membranes, and denatures of proteases, thereby accelerating the aging process. More seriously the attacking of free radicals on genes, can destroy the structure of gene molecules and lead to mutations in gene chains, causing systematic confusion in the human body. This is why people are getting old.

Use of hydrogen-rich water in life

1. Using hydrogen-rich water for cooking rice can keep the freshness of the food for a long time and makes the rice taste more delicious.
2. Using hydrogen-rich blister to wash vegetables and fruits, can inhibit the growth of E. coli on vegetables and fruits for a long time, and effectively remove pesticides on the surface of fruits and vegetables (extends storage time more than 3 times)
3. Used in humidification to prevent and reduce allergic reactions (atopic dermatitis, asthma, pollen allergy)



Effect of hydrogen water on free radicals

When peroxidic free radicals destroying the body cells, strong anti-oxidant active hydrogen appears, which prevents peroxyl radicals from attacking the cells and reduces the peroxyl radicals to a stable form, thereby protecting the cells from damage. Eventually, hydrogen and oxygen combine to water that is harmless to the body. Reduces the chance of cytopathic and slows the rate of cell death.



Use of hydrogen-rich water in life

1. Using hydrogen-rich water for cooking rice can keep the freshness of the food for a long time and makes the rice taste more delicious.
2. Using hydrogen-rich blister to wash vegetables and fruits, can inhibit the growth of E. coli on vegetables and fruits for a long time, and effectively remove pesticides on the surface of fruits and vegetables (extends storage time more than 3 times)
3. Used in humidification to prevent and reduce allergic reactions (atopic dermatitis, asthma, pollen allergy)



Effect of hydrogen water on free radicals

When peroxidic free radicals destroying the body cells, strong anti-oxidant active hydrogen appears, which prevents peroxyl radicals from attacking the cells and reduces the peroxyl radicals to a stable form, thereby protecting the cells from damage. Eventually, hydrogen and oxygen combine to water that is harmless to the body. Reduces the chance of cytopathic and slows the rate of cell death.



Use of hydrogen-rich water in life

1. Using hydrogen-rich water for cooking rice can keep the freshness of the food for a long time and makes the rice taste more delicious.
2. Using hydrogen-rich blister to wash vegetables and fruits, can inhibit the growth of E. coli on vegetables and fruits for a long time, and effectively remove pesticides on the surface of fruits and vegetables (extends storage time more than 3 times)
3. Used in humidification to prevent and reduce allergic reactions (atopic dermatitis, asthma, pollen allergy)



Effect of hydrogen water on free radicals

When peroxidic free radicals destroying the body cells, strong anti-oxidant active hydrogen appears, which prevents peroxyl radicals from attacking the cells and reduces the peroxyl radicals to a stable form, thereby protecting the cells from damage. Eventually, hydrogen and oxygen combine to water that is harmless to the body. Reduces the chance of cytopathic and slows the rate of cell death.



Technology has changed life

We use technology to improve our lives, use technology to work hard to improve the water quality in your cup, and let you drink healthy and safe, non-contaminated beam of nutritious water. This is the responsibility of us. What kind of water you drink today will affect your healthy ten years later
 We= a healthy water manufacturer.

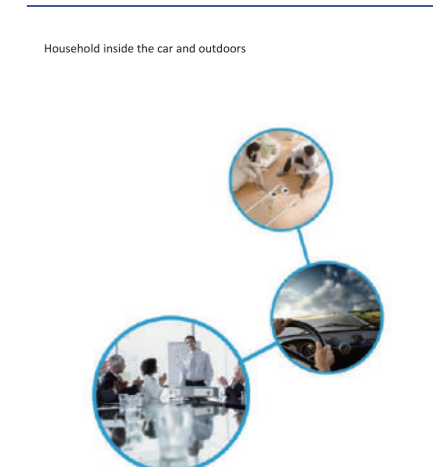
Recommended for use in the follows



Technology has changed life

We use technology to improve our lives, use technology to work hard to improve the water quality in your cup, and let you drink healthy and safe, non-contaminated beam of nutritious water. This is the responsibility of us. What kind of water you drink today will affect your healthy ten years later
 We= a healthy water manufacturer.

Recommended for use in the follows



Technology has changed life

We use technology to improve our lives, use technology to work hard to improve the water quality in your cup, and let you drink healthy and safe, non-contaminated beam of nutritious water. This is the responsibility of us. What kind of water you drink today will affect your healthy ten years later
 We= a healthy water manufacturer.

Recommended for use in the follows

